

12.14 (a) From the realization

$$E(z) = X(z) - E(z)(z^{-1} + Gz^{-2}) \Rightarrow E(z) = \frac{X(z)}{1 + z^{-1} + Gz^{-2}}$$

$$Y(z) = E(z)(1 + z^{-1} + z^{-2}) \Rightarrow \frac{Y(z)}{X(z)} = \frac{1 + z^{-1} + z^{-2}}{1 + z^{-1} + Gz^{-2}}$$

or

$$Y(z)[1 + z^{-1} + Gz^{-2}] = X(z)[1 + z^{-1} + z^{-2}]$$

which gives the difference equation:

$$y[n] = -y[n-1] - Gy[n-2] + x[n] + x[n-1] + x[n-2]$$

(b) The transfer function of the filter is

$$H(z) = \frac{1 + z^{-1} + z^{-2}}{1 + z^{-1} + Gz^{-2}}$$

with poles

$$p_{1,2} = -0.5 \pm \frac{\sqrt{1-4G}}{2}$$

for these to be complex conjugates we need that $1 - 4G < 0$ or $G > 1/4$. The BIBO stability requires that $|p_{1,2}| < 1$ (inside the unit circle), or

$$\sqrt{\frac{1}{4} + \frac{4G-1}{4}} < 1$$

or $G < 1$. Thus for the system to have complex conjugate poles and to be BIBO stable we need that $1/4 < G < 1$.

12.15 (a) Let

$$H(z) = \underbrace{\frac{2(1 - z^{-1})}{1 + 0.5z^{-1}}}_{H_1(z)} \underbrace{\frac{1 + \sqrt{2}z^{-1} + z^{-2}}{1 - 0.9z^{-1} + 0.81z^{-2}}}_{H_2(z)}$$

The cascade realization of $H(z)$ is as shown in Fig. 12.2

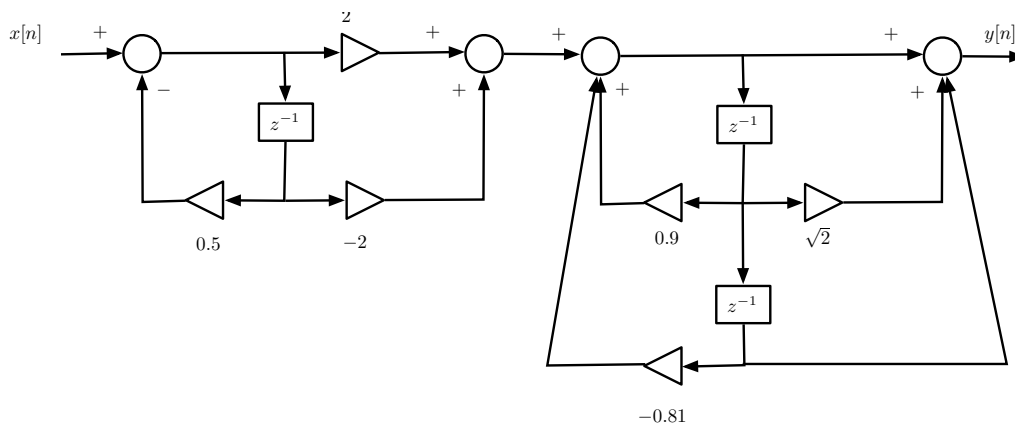


Figure 12.2: Problem 15: Cascade realization of $H(z)$.

(b) To obtain the parallel realization we do a partial fraction expansion of $H(z)$. Notice that $H(z)$ is not proper rational and so we have to obtain a constant term before performing the partial fraction expansion

$$H(z) = -4.94 + \frac{2.16}{1 + 0.5z^{-1}} + \frac{4.78 - 1.6z^{-1}}{1 - 0.9z^{-1} + 0.81z^{-2}}$$

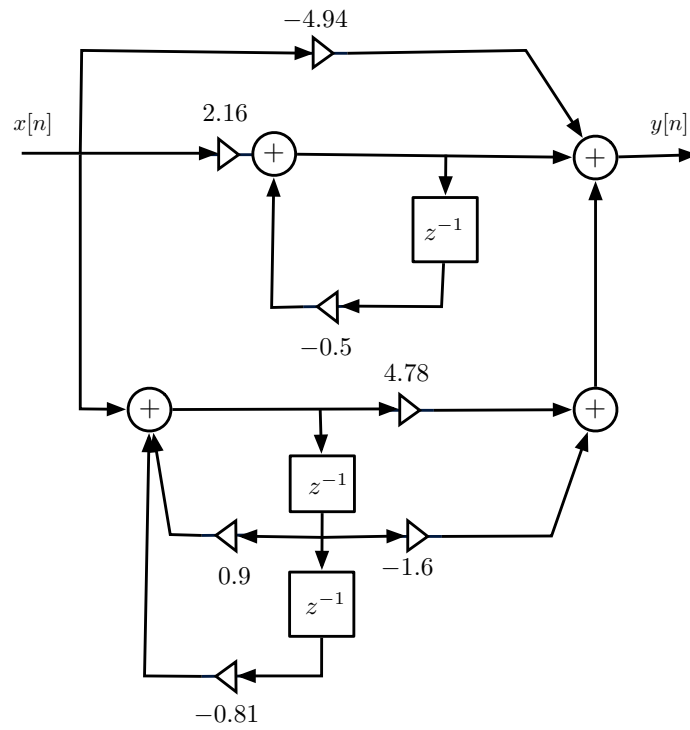


Figure 12.3: Problem 15: Parallel realization of $H(z)$.

12.16 Using the variables $v[n]$ and $w[n]$ we obtain the following expressions

$$\begin{aligned}g[n] &= 2v[n] + 1.8v[n-1] + 0.4v[n-2] \\v[n] &= x[n] + 1.3v[n-1] - 0.8v[n-2]\end{aligned}$$

with Z-transforms

$$\begin{aligned}G(z) &= (2 + 1.8z^{-1} + 0.4z^{-2})V(z) \\V(z) &= \frac{X(z)}{1 - 1.3z^{-1} + 0.8z^{-2}}\end{aligned}$$

so that

$$\frac{G(z)}{X(z)} = \frac{2 + 1.8z^{-1} + 0.4z^{-2}}{1 - 1.3z^{-1} + 0.8z^{-2}}$$

Thus, the difference equation relating $g[n]$ to $x[n]$ is

$$g[n] = 1.3g[n-1] - 0.8g[n-2] + 2x[n] + 1.8x[n-1] + 0.4x[n-2]$$

For the second cascade, we have

$$\begin{aligned}y[n] &= 3w[n] + 4.5w[n-1] \Rightarrow Y(z) = (3 + 4.5z^{-1})W(z) \\w[n] &= g[n] + 0.3w[n-1] \Rightarrow W(z) = \frac{G(z)}{1 - 0.3z^{-1}}\end{aligned}$$

so that

$$\frac{Y(z)}{G(z)} = \frac{3 + 4.5z^{-1}}{1 - 0.3z^{-1}} \Rightarrow y[n] = 0.3y[n-1] + 3g[n] + 4.5g[n-1]$$

where the term on the right is the difference equation relating $y[n]$ and $g[n]$.

(b) The overall transfer function is

$$H(z) = \frac{Y(z)}{X(z)} = \frac{Y(z)}{G(z)} \frac{G(z)}{X(z)} = \frac{(3 + 4.5z^{-1})(2 + 1.8z^{-1} + 0.4z^{-2})}{(1 - 0.3z^{-1})(1 - 1.3z^{-1} + 0.8z^{-2})}$$